

2012

Crimson International Laryngoscopes

Crimson International is proudly the most sought after name in the field of Medical Diagnostic Instruments. Since its birth, the chief aim of our company has been to utilize all its energies, manpower and technology towards developing superior quality instruments, with special emphasis on them being technically precise as well as user friendly. In order to serve the interest and meet the requirement of our customers, we endeavor to best of our abilities to improve our existing line and also introduce new products.



CRIMSON INTERNATIONAL
LARYNGOSCOPE



Laryngoscope

Standard Laryngoscope

Sololite Blades & Handles

Macintosh Blades › Miller Blades › Wisconsin Blades › Macintosh IV Blades › Oxford Blades
Battery Handles › Macintosh Polio

=====

› Sunflex Blades

Fiber Optic Laryngoscope

Lunalite Blades & Handles

Macintosh › Miller › Wisconsin › Polio Blades › Oxford › F.O. Battery Handles › Mill-Port
› Macintosh IV Blade

Maxlite Blades

Maxlite Macintosh F.O Blade › Maxlite Miller F.O Blade

Greenine Sunflex Blades

=====

Disposable Laryngoscope

Lunalite D Blades

=====

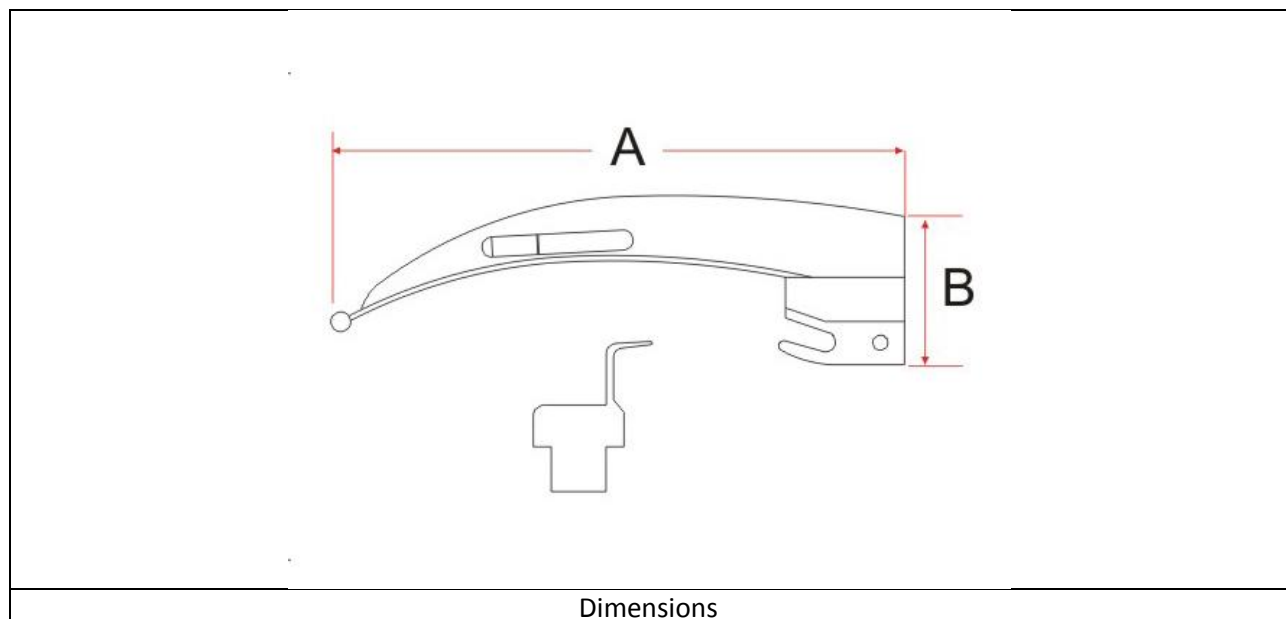
=====

=====

=====

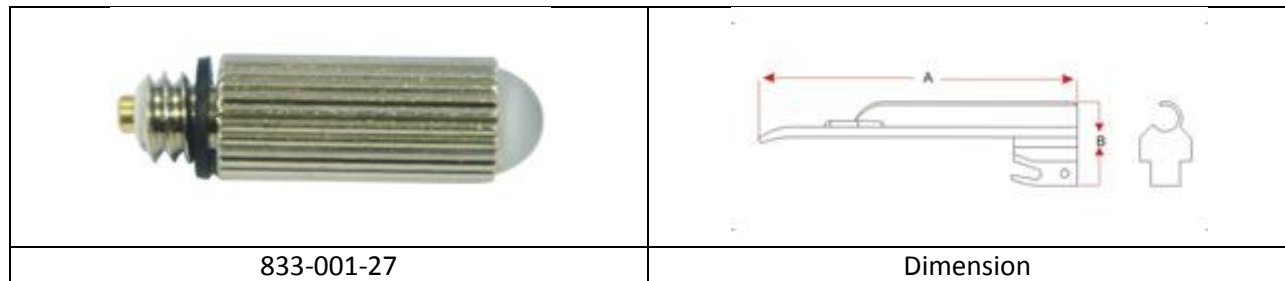
Macintosh Blades

CAT#	SIZE	DESCRIPTION	A	B
810-201-00	0	Neonate	80mm	13mm
810-201-01	1	Infant	92mm	14mm
810-201-02	2	Child	100mm	17mm
810-201-03	3	Adult	130mm	11mm
810-201-04	5	Large Adult	175mm	14mm



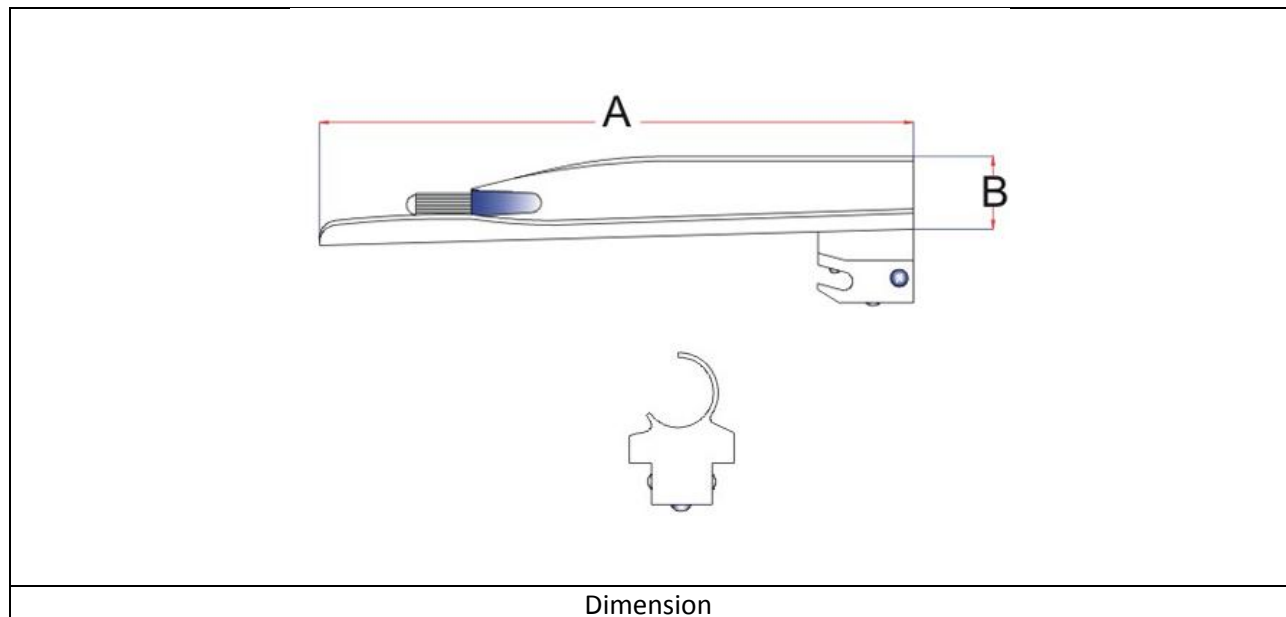
Miller Blades

CAT#	SIZE	DESCRIPTION	A	B
810-211-00	0	Neonate	75mm	10.5mm
810-211-01	1	Infant	102mm	10.5mm
810-211-02	2	Child	153mm	12.5mm
810-211-03	3	Medium Adult	195mm	11mm
810-211-04	4	Large Adult	205mm	14mm
810-211-05	00	Premature	65mm	10.5mm



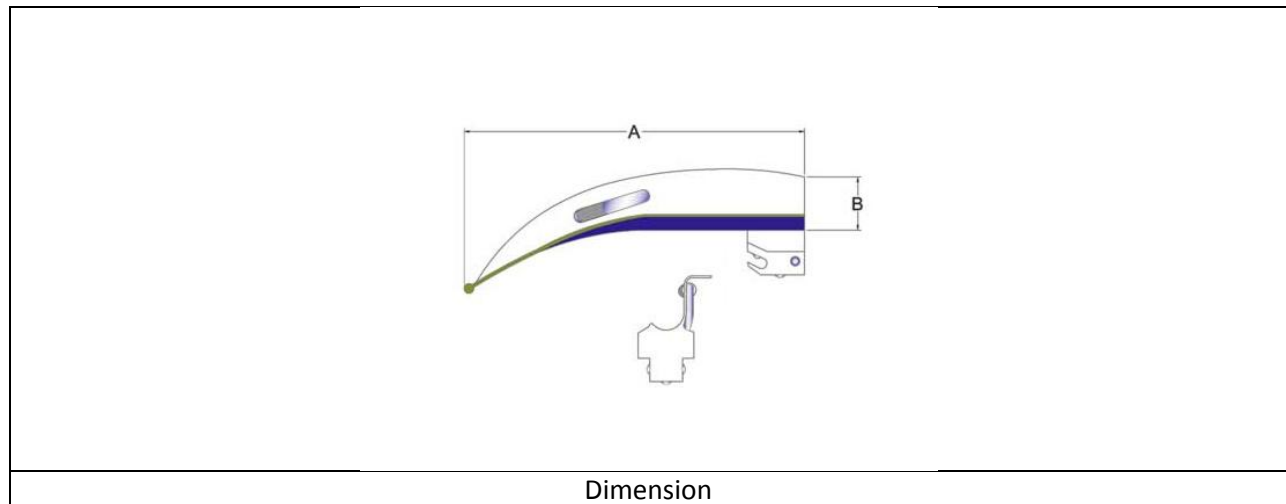
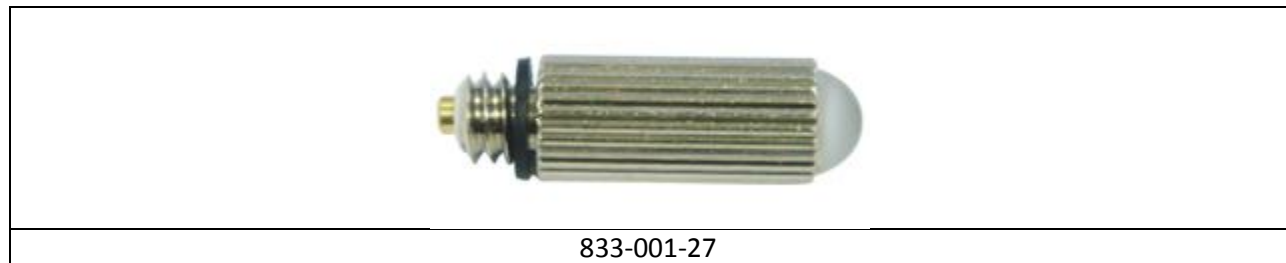
Wisconsin Blades

CAT#	SIZE	DESCRIPTION	A	B
810-221-00	0	Neonate	76mm	9.5mm
810-221-01	1	Infant	102mm	11mm
810-221-02	2	Child	135mm	15mm
810-221-03	3	Medium Adult	162mm	16mm
810-221-04	4	Large Adult	199mm	19mm



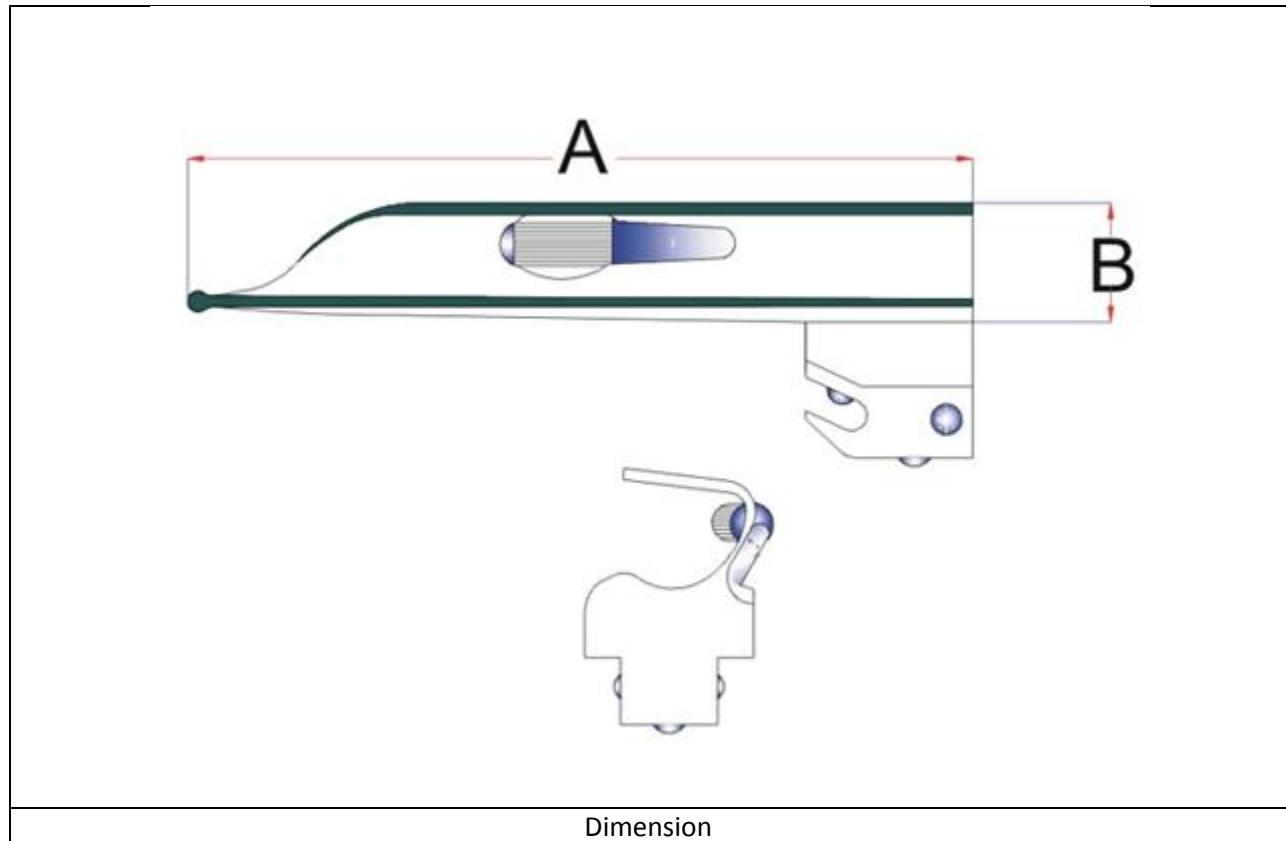
Macinotsh IV Blades

CAT#	SIZE	DESCRIPTION	A	B
810-241-02	2	Child	100mm	21mm
810-241-03	3	Medium Adult	130mm	23mm
810-241-04	4	Large Adult	155mm	26mm







Oxford Blades

CAT#	SIZE	DESCRIPTION	A	B
810-261-01	1	Infant	102mm	12mm



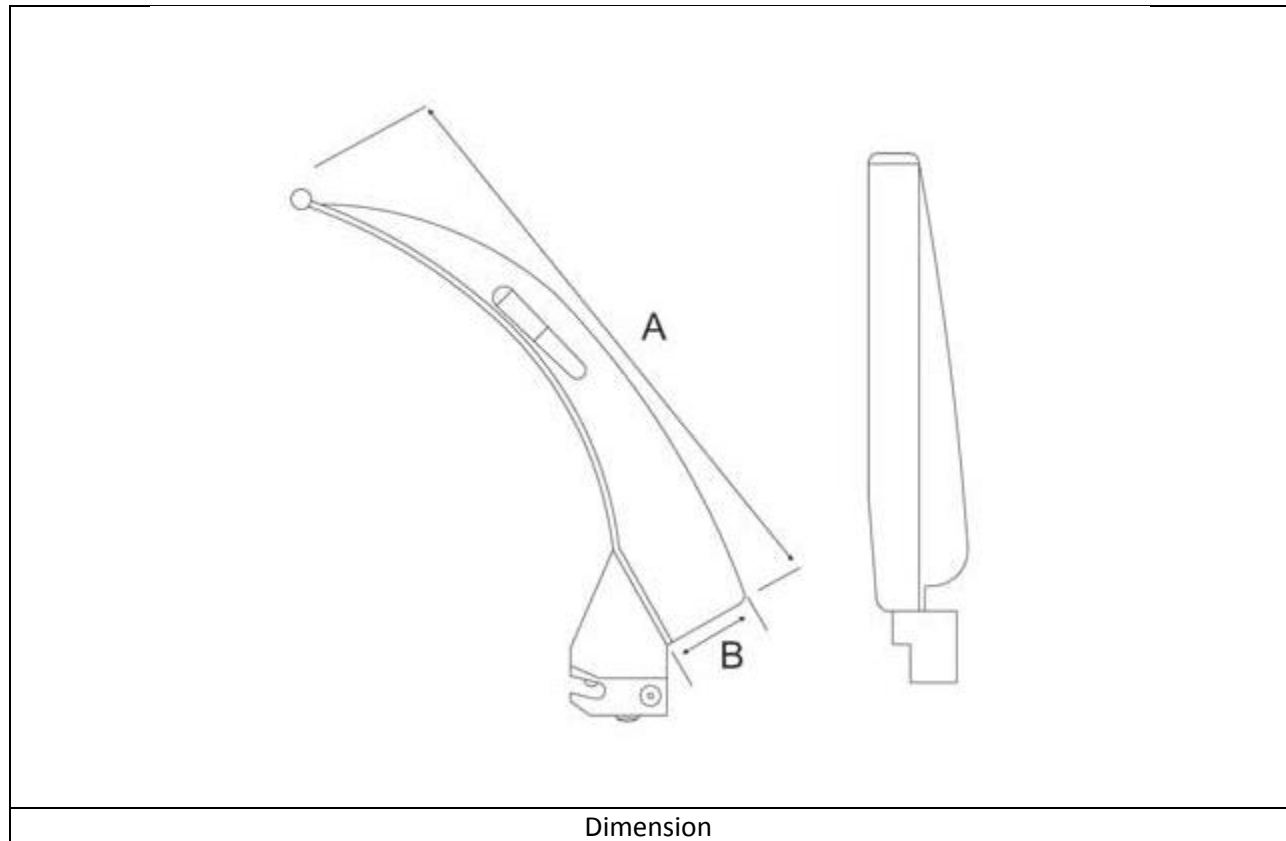
Battery Handles

CAT#	SIZE	DESCRIPTION	A	B
5110-EC-01	Small	Battery Handle 'AA'		
5111-EC-02	Medium	Battery Handle 'C'		
5112-EC-03	Large	Battery Handle 'D'		
5113-EC-04	Stubby	Battery Handle 'AA'		

	
5110-EC-01	5111-EC-02
	
5112-EC-03	5113-EC-04

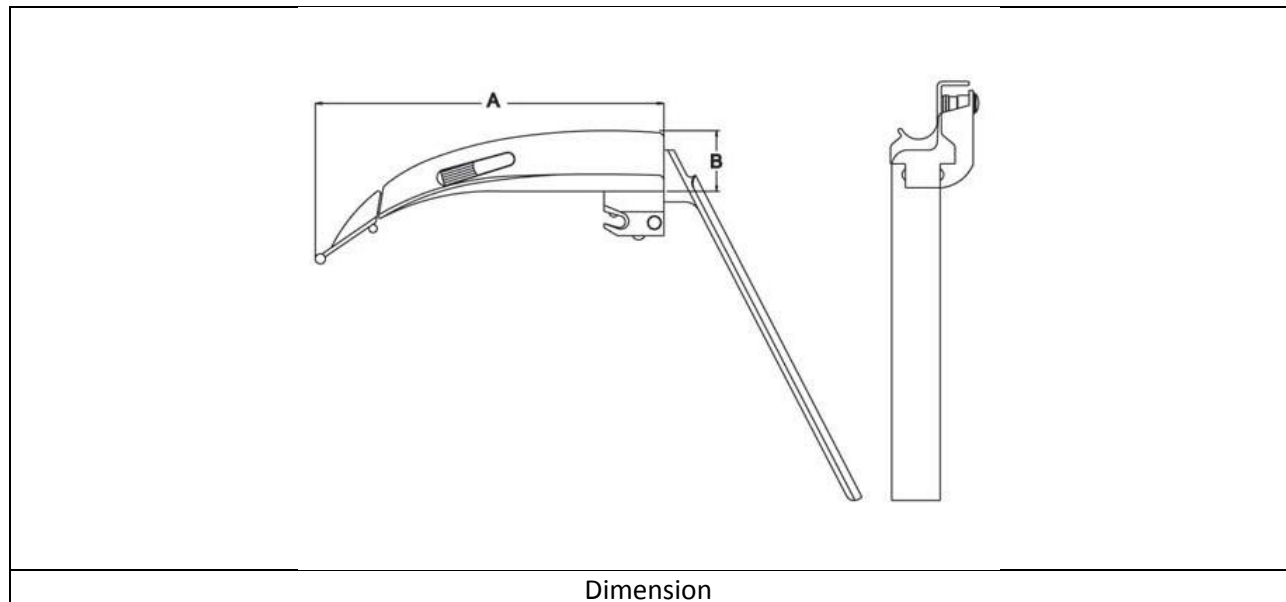
Macintosh Polio

CAT#	SIZE	DESCRIPTION	A	B
810-251-03	3	Medium Adult	130mm	18mm



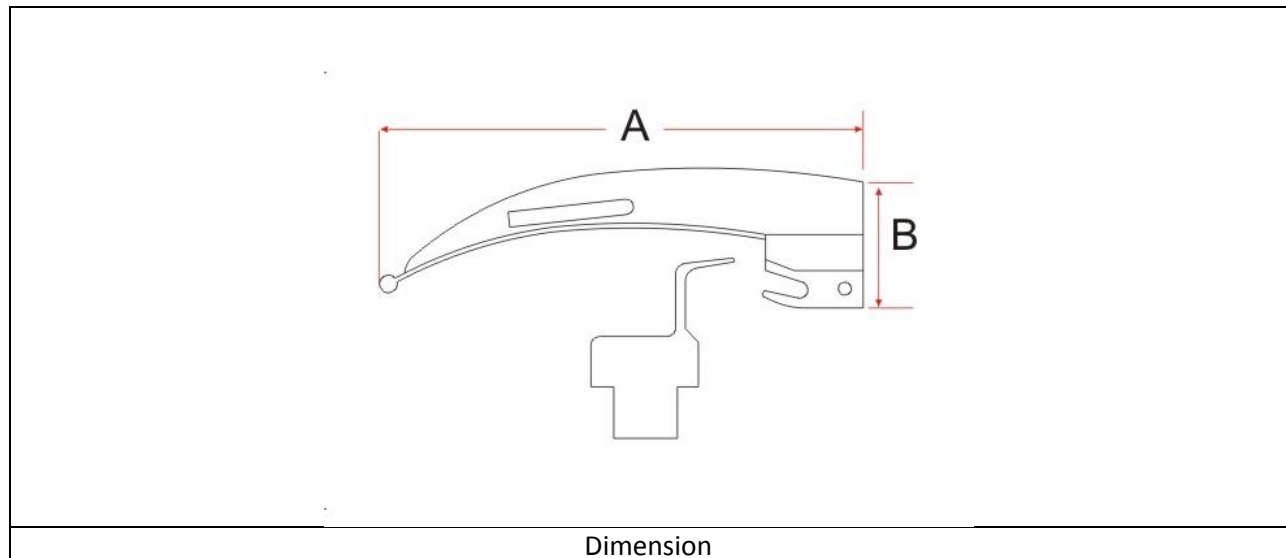
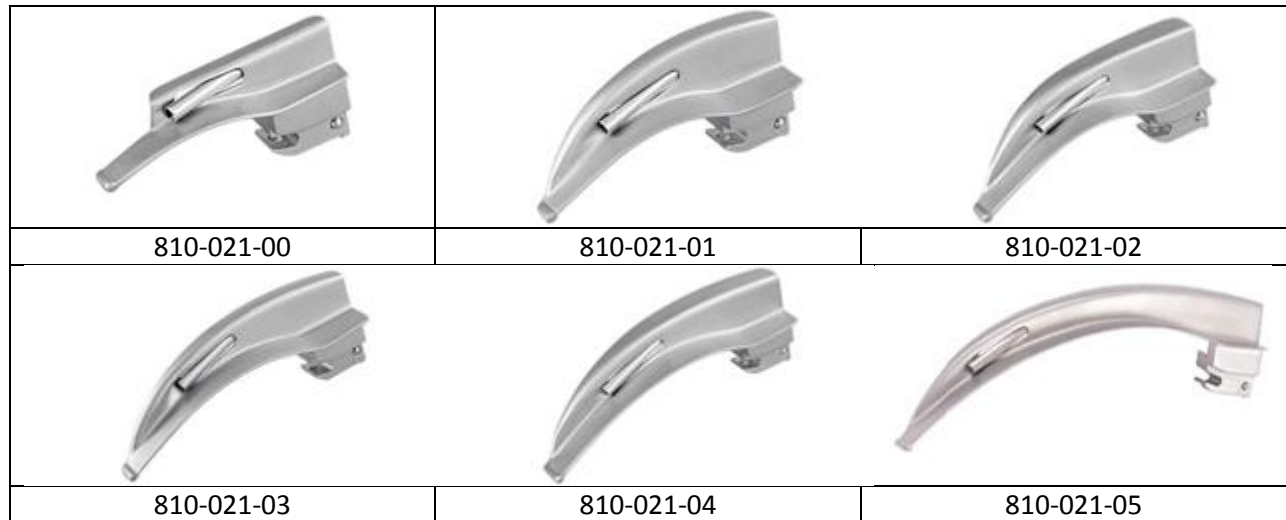
Sunflex Blades

CAT#	SIZE	DESCRIPTION	A	B
810-301-02	2	Sunflex EC-Mac	100mm	18mm
810-301-03	3	Sunflex EC-Mac	130mm	18mm
810-301-04	4	Sunflex EC-Mac	155mm	18mm



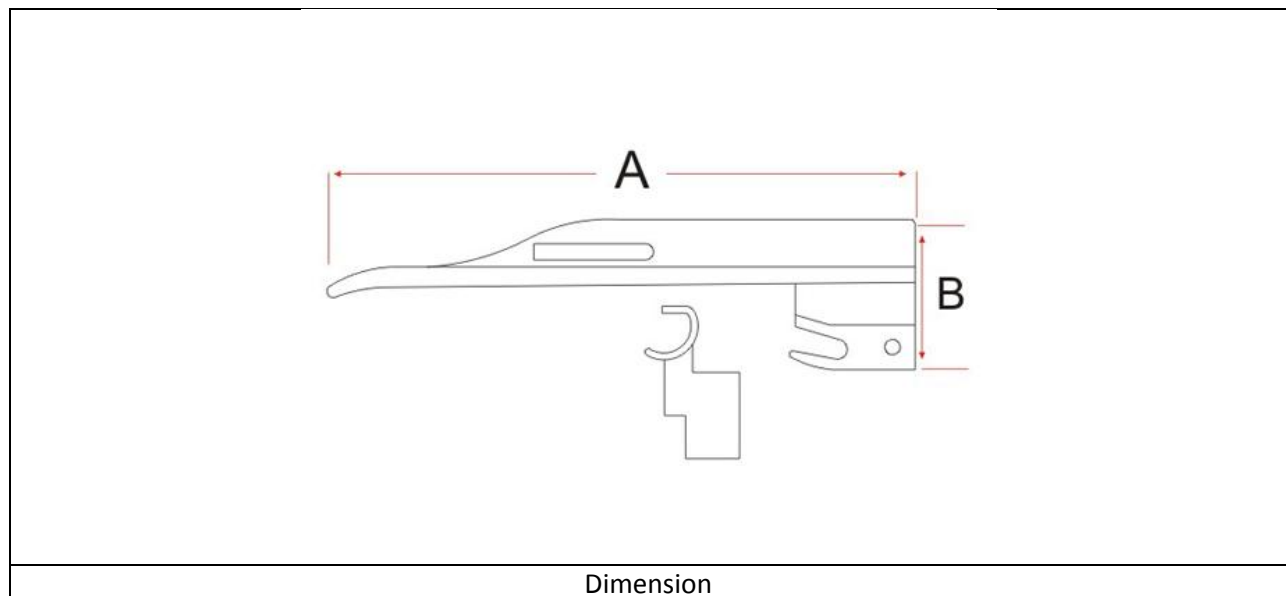
Macintosh (Fiber)

CAT#	SIZE	DESCRIPTION	A	B
810-021-00	0	Neonate	80mm	55mm
810-021-01	1	Infant	92mm	67mm
810-021-02	2	Child	100mm	75mm
810-021-03	3	Medium Adult	130mm	105mm
810-021-04	4	Large Adult	155mm	130mm
810-021-05	5	Large Adult	175mm	14mm



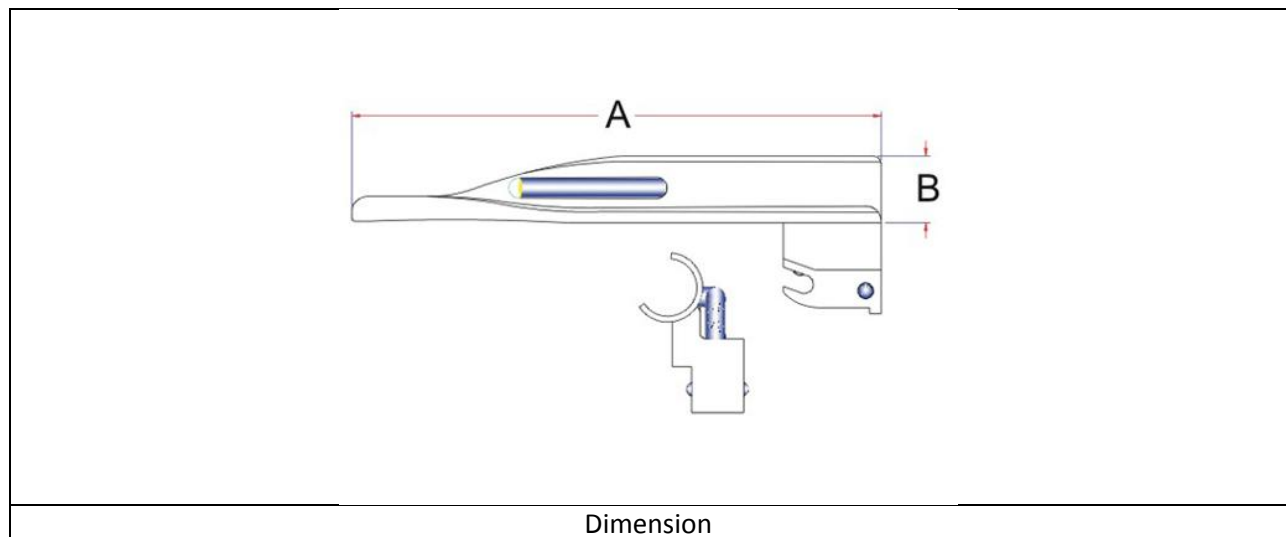
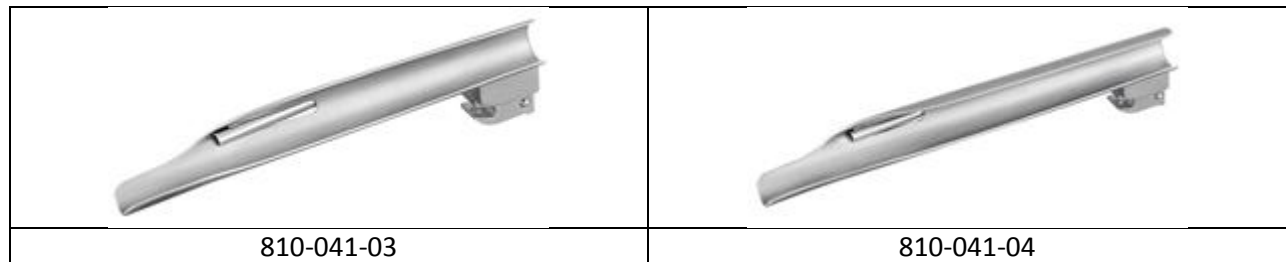
Miller (Fiber)

CAT#	SIZE	DESCRIPTION	A	B
810-031-00	0	Neonate	75mm	50mm
810-031-01	1	Infant	102mm	77mm
810-031-02	2	Child	153mm	128mm
810-031-03	3	Medium Adult	195mm	170mm
810-031-04	4	Large Adult	205mm	180mm
810-031-05	00	Premature	65mm	40mm



Wisconsin (Fiber)

CAT#	SIZE	DESCRIPTION	A	B
810-041-00	0	Neonate	76mm	51mm
810-041-01	1	Infant	102mm	77mm
810-041-02	2	Child	135mm	110mm
810-041-03	3	Medium Adult	162mm	137mm
810-041-04	4	Large Adult	199mm	174mm

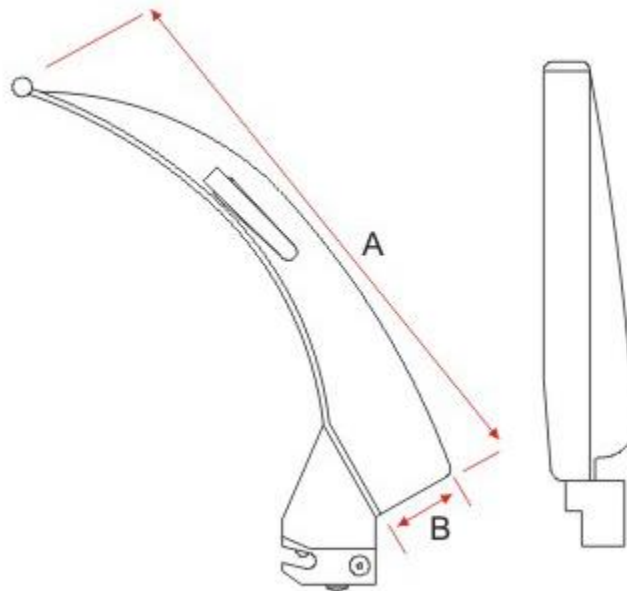


Polio Blades (Fiber)

CAT#	SIZE	DESCRIPTION	A	B
810-071-03	3	Angled 120°	130mm	105mm



810-071-03



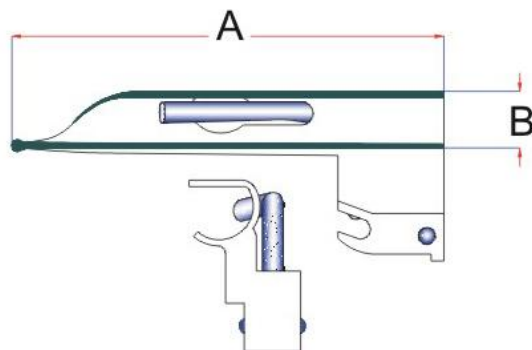
Dimension

Oxford (Fiber)

CAT#	SIZE	DESCRIPTION	A	B
810-081-01	1	Oxford Blade	102mm	77mm



810-081-01



Dimension

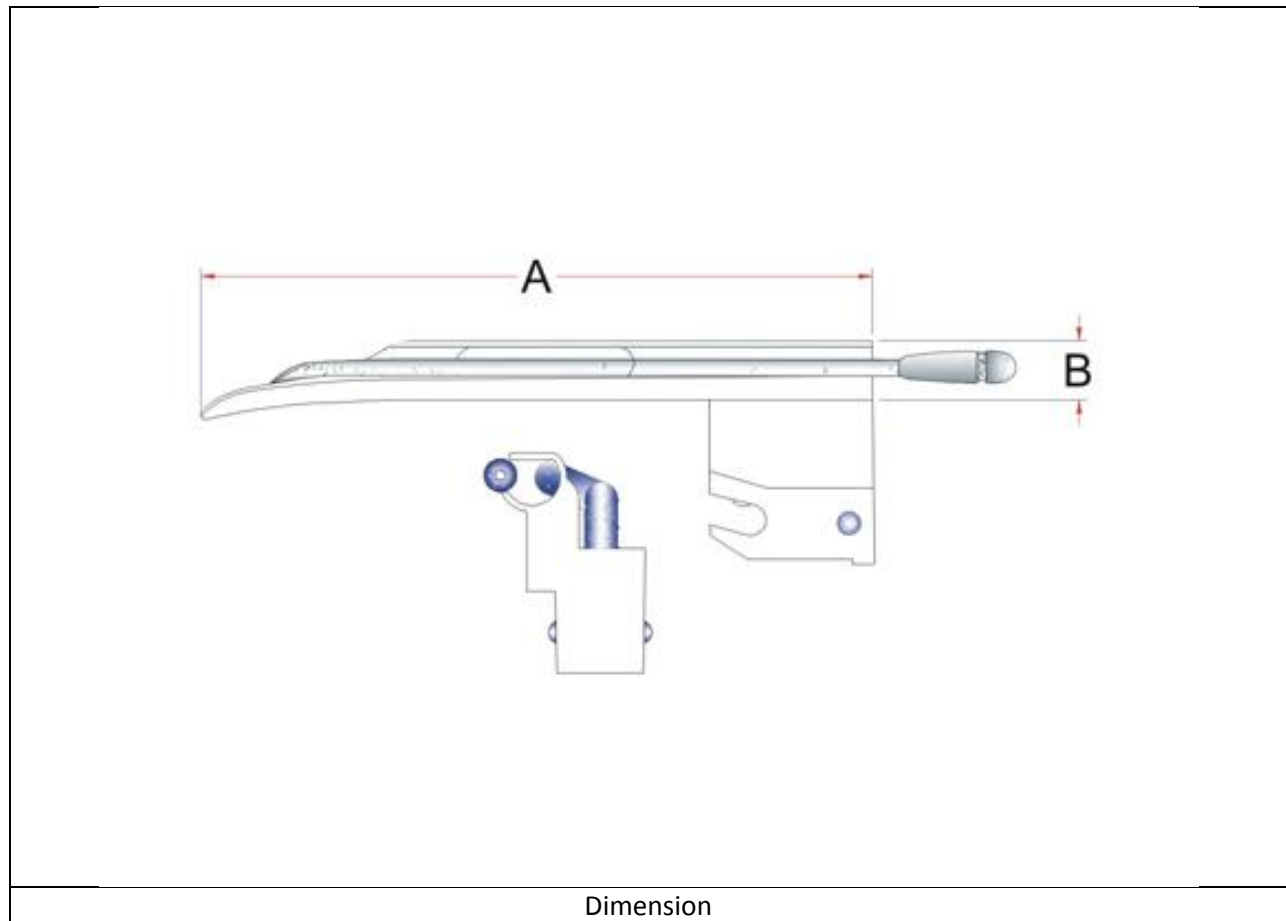
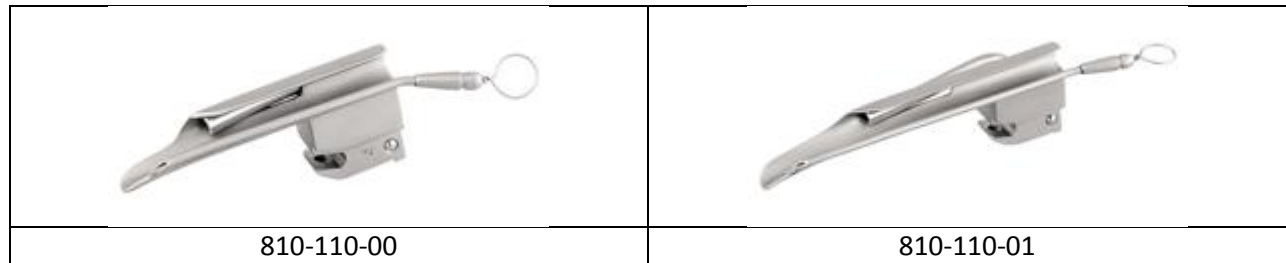
F.O Battery Handles (Fiber)

CAT#	SIZE	DESCRIPTION	A	B
5510-EF-01	Small	Battery Handle 'AA'		
5511-EF-02	Medium	Battery Handle 'C'		
5512-EF-03	Large	Battery Handle 'D'		
5513-EF-04	Stubby	Battery Handle 'AA'		



Mill-Port (Fiber)

CAT#	SIZE	DESCRIPTION	A	B
810-110-00	0	Neonate	75mm	8.5mm
810-110-01	1	Infant	102mm	8.5mm



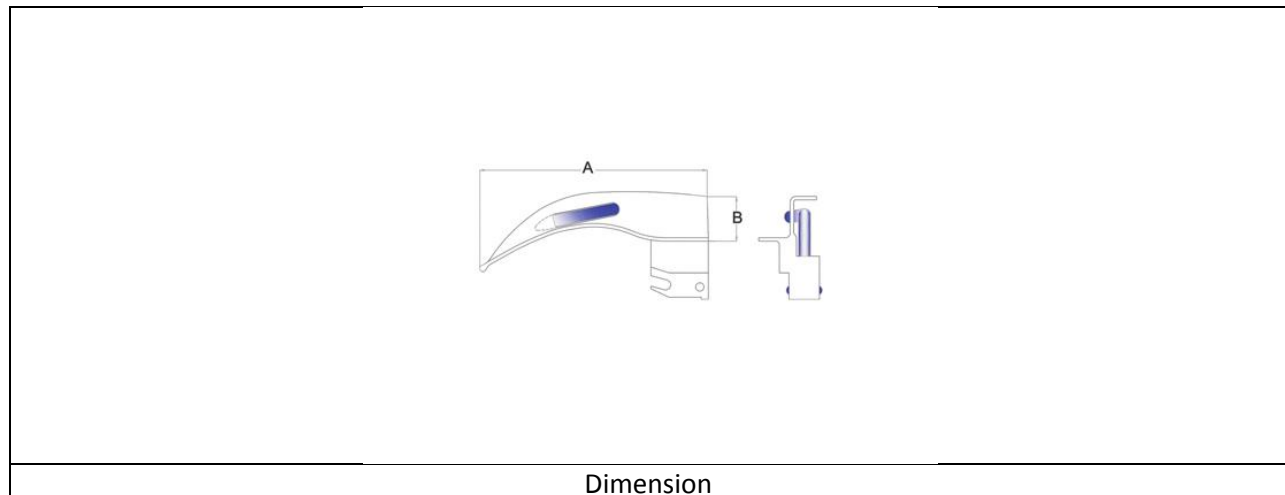
Macintosh IV Blade (Fiber)

CAT#	SIZE	DESCRIPTION	A	B
810-061-02	2	Child	100mm	21mm
810-061-03	3	Medium Adult	130mm	22mm
810-061-04	4	Large Adult	155mm	26mm



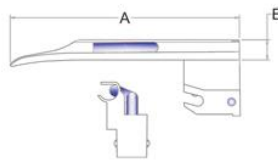
Maxlite Macintosh F.O Blade (Fiber)

CAT#	SIZE	DESCRIPTION	A	B
810-001-00	0	Neonate	80mm	13mm
810-001-01	1	Infant	92mm	14mm
810-001-02	2	Child	100mm	17mm
810-001-03	3	Medium Adult	130mm	18mm
810-001-03SC	3	"Strong Curve"	130mm	18mm
810-001-04	4	Large Adult	15mm	18mm



Maxlite Miller F.O Blade (Fiber)

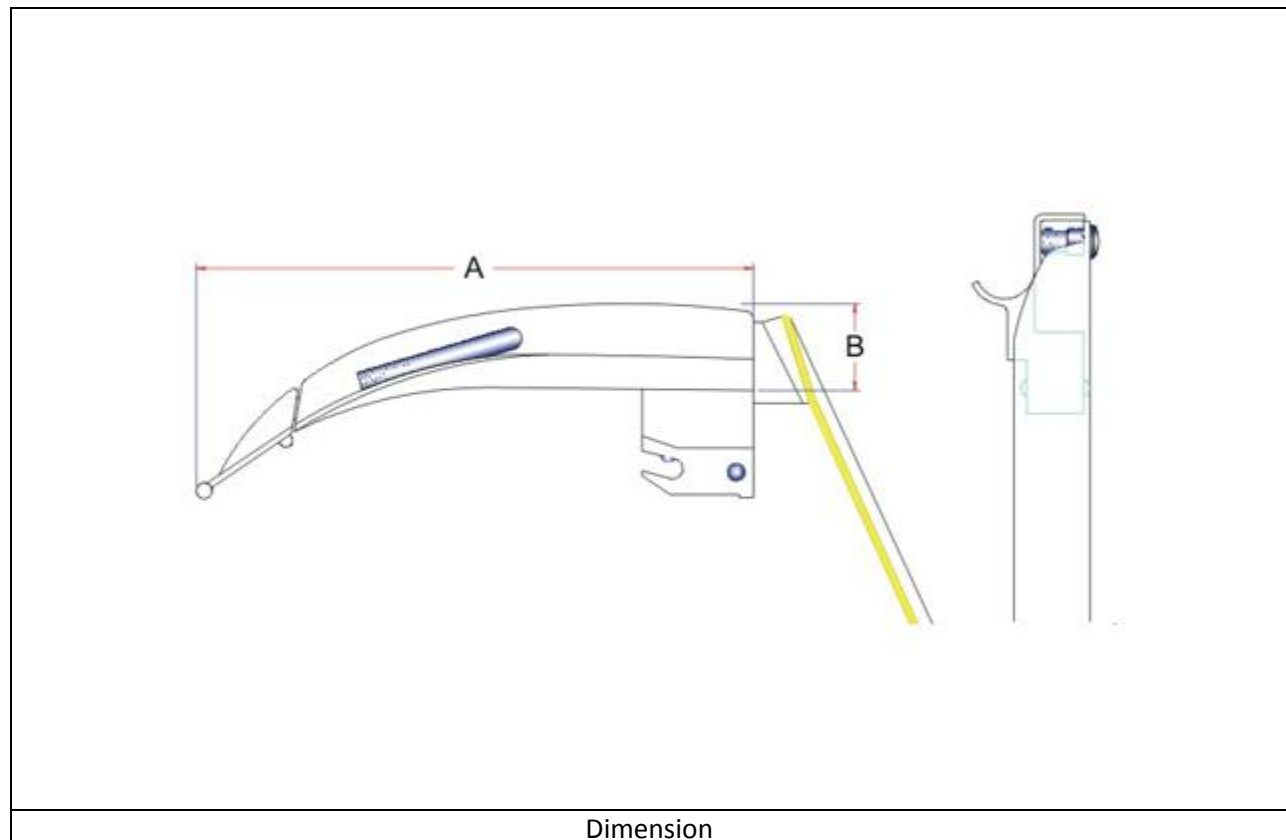
CAT#	SIZE	DESCRIPTION	A	B
810-011-00	00	Premature	76mm	12.5mm
810-011-01	0	Neonate	80mm	12.5mm
810-011-02	1	Infant	100mm	12.5mm
810-011-03	2	Child	152mm	14.5mm
810-011-04	3	Medium Adult	192mm	15mm
810-011-05	4	Large Adult	207mm	17mm



Dimension

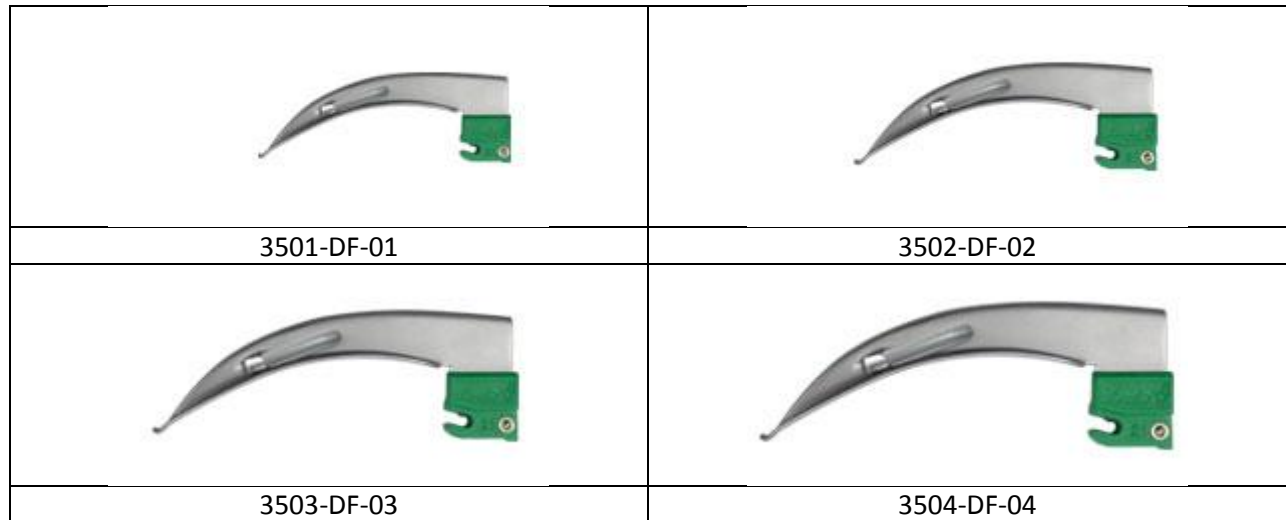
Greenine Sunflex Blades (Fiber)

CAT#	SIZE	DESCRIPTION	A	B
810-120-02	2	Greenine Sunflex Blades	100mm	78mm
810-120-03	3	Greenine Sunflex Blades	130mm	108mm
810-120-04	4	Greenine Sunflex Blades	155mm	133mm



Mac Blades (Disposables)

CAT#	SIZE	DESCRIPTION	A	B
3501-DF-01	1	Lunalite D Mac Blades		
3502-DF-02	2	Lunalite D Mac Blades		
3503-DF-03	3	Lunalite D Mac Blades		
3504-DF-04	4	Lunalite D Mac Blades		



CONTACT US



CRIMSON INTERNATIONAL

On the behalf of Crimson International.

(Export & Sales Dept)

Manufacturers & Exporters

Pakistan, Sialkot 51310, Paris Road,
Block No 2, P.O Box 11992.

Skype: crimson.international

Phone: 00-92-323-5178400

: 00-92-52-8116231

Email: Info@crimson-intl.com

Website: <http://www.crimson-intl.com>